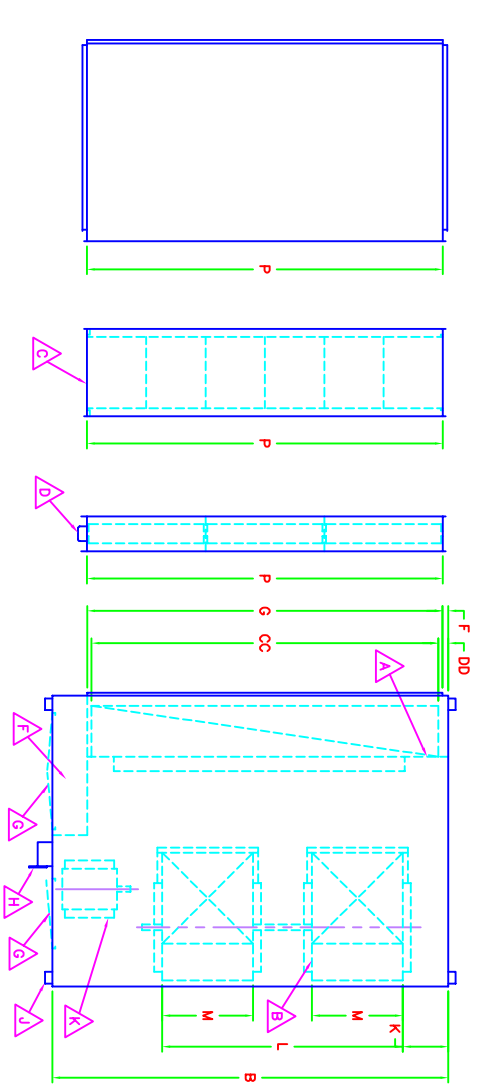


MODEL NO	A	B	C	D	E	F	G	H	J	K	L	M	N	P	R	S	T	U	V	W	X	Y	Z	AA	BB	CC	DD	EE	FF	GG	HH	JJ	**FA	FILTER QUANTITY	**FA	FILTER QUANTITY	**RA	FILTER QUANTITY
222M	100	146	58	8.5	46.5	2	140	14.13	27.5	19.5	77	27.5	46.75	140.25	69.5	76.26	10.27	7.5	27.75	33.75	10	13.5	5.75	123.75	5.75	124	140.25	44.75	30	(20)20	*25	&(8)16	*25	(21)20	*25	(21)20	*25	
225M	100	146	58	8.5	46.5	2	140	15.38	31.5	19.5	88	31.5	46.75	140.25	69.5	76.26	10.51	7.5	28.25	34.75	10	13.5	5.75	123.75	5.75	124	140.25	44.75	30	(20)20	*25	&(8)16	*25	(21)20	*25	(21)20	*25	
227M	100	156	66	10.5	52.5	2	152	17	34.5	19.5	96	34.5	52.75	152.25	64	72.27	10.54	7.5	29.25	34.75	40	10	15.5	5.75	133.75	5.75	134	152.25	50.75	30	(30)20	*25	&(10)16	*25	(24)20	*25	&(8)16	*25
230M	100	156	66	10.5	52.5	2	152	18.5	37	15.5	104	37	52.75	152.25	64	72.27	10.57	2.5	30.25	37.25	43	10	15.5	5.75	133.75	5.75	134	152.25	50.75	30	(30)20	*25	&(10)16	*25	(24)20	*25	&(8)16	*25

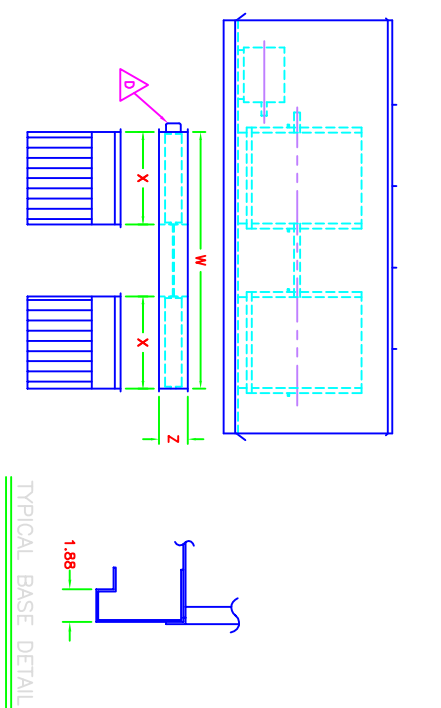
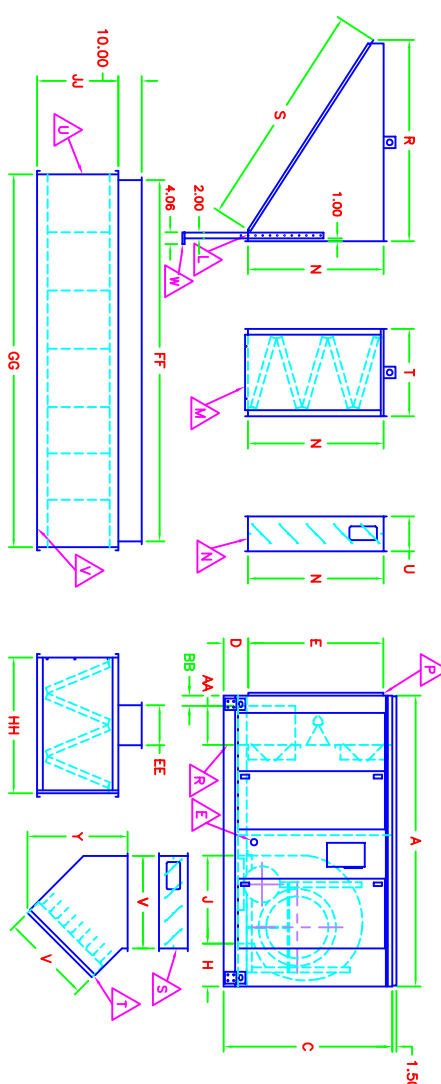
Rev 06/25/14
30400072



- A** 80/20 BURNER PROFILE
- B** TWIN FC DWDI BLOWERS
- C** LIFT-OFF INTAKE FILTER SERVICE DOOR
- D** DAMPER MOTOR
- E** GAS CONNECTION
- F** ELEC/MANIFOLD CONTROLS VESTIBULE
- G** HINGED SERVICE DOOR
- H** MAIN DISCONNECT SWITCH
- I** LIFTING LUG (4-PLACES)
- K** SUPPLY FAN BLOWER MOTOR
- L** STANDARD FRESH AIR INTAKE HOOD/FILTER COMBINATION (FILTERS SUPPLIED ONLY WHEN ORDERED)
- M** FRESH AIR INTAKE FILTER
- N** FRESH AIR INTAKE DAMPER
- P** FRESH AIR INTAKE OPENING
- R** RETURN AIR INTAKE OPENING
- S** DISCHARGE DAMPER
- T** DISCHARGE DIFFUSER (2-PIECES)
- U** RETURN AIR INTAKE FILTER
- V** RETURN AIR INTAKE FILTER SCREEN
- W** HOOD SUPPORT LEGS

NOTES:

- EQUIPMENT SUPPORT RECOMMENDED UNDER FRESH AIR INTAKE FILTER
- EQUIPMENT SUPPORT RECOMMENDED UNDER FRESH AIR INTAKE HOOD
- GRADE SUPPORT RECOMMENDED UNDER RETURN AIR INTAKE FILTER
- BASE DESIGNED FOR FLAT MOUNT OR CURB MOUNT
- ALL DIMENSIONS ARE SHOWN IN INCHES
- **FA : FRESH AIR
- **RA : RETURN AIR



TYPICAL BASE DETAIL

RUPP AIR MANAGEMENT SYSTEMS

DRAWN BY: TKL
DATE: 02/10/00

APPROVED BY: _____
DATE: _____

REVISION DESCRIPTION:
01 Changed 227/230 filter quantity

HORIZONTAL-222M, 225M, 227M AND 230M
DOWN DISCHARGE LEFT TO RIGHT

SCALE: _____

DO NOT SCALE DRAWING USE DIMENSIONS SHOWN
ALL DIMENSIONS ARE IN INCHES UNLESS OTHERWISE SPECIFIED

REV	TITLE	DATE	BY	CHKD	APP'D
01	Changed 227/230 filter quantity				

REVISION IN LARGE CHARACTERS
HM22222230DDLR

ECN NO: _____
DWG: _____
DATE: 6-25-14

TOLERANCES:
2 PLCS ±.03
4 PLCS ±.015

DRAWING OF PART NUMBER: HM2222230DD1 R